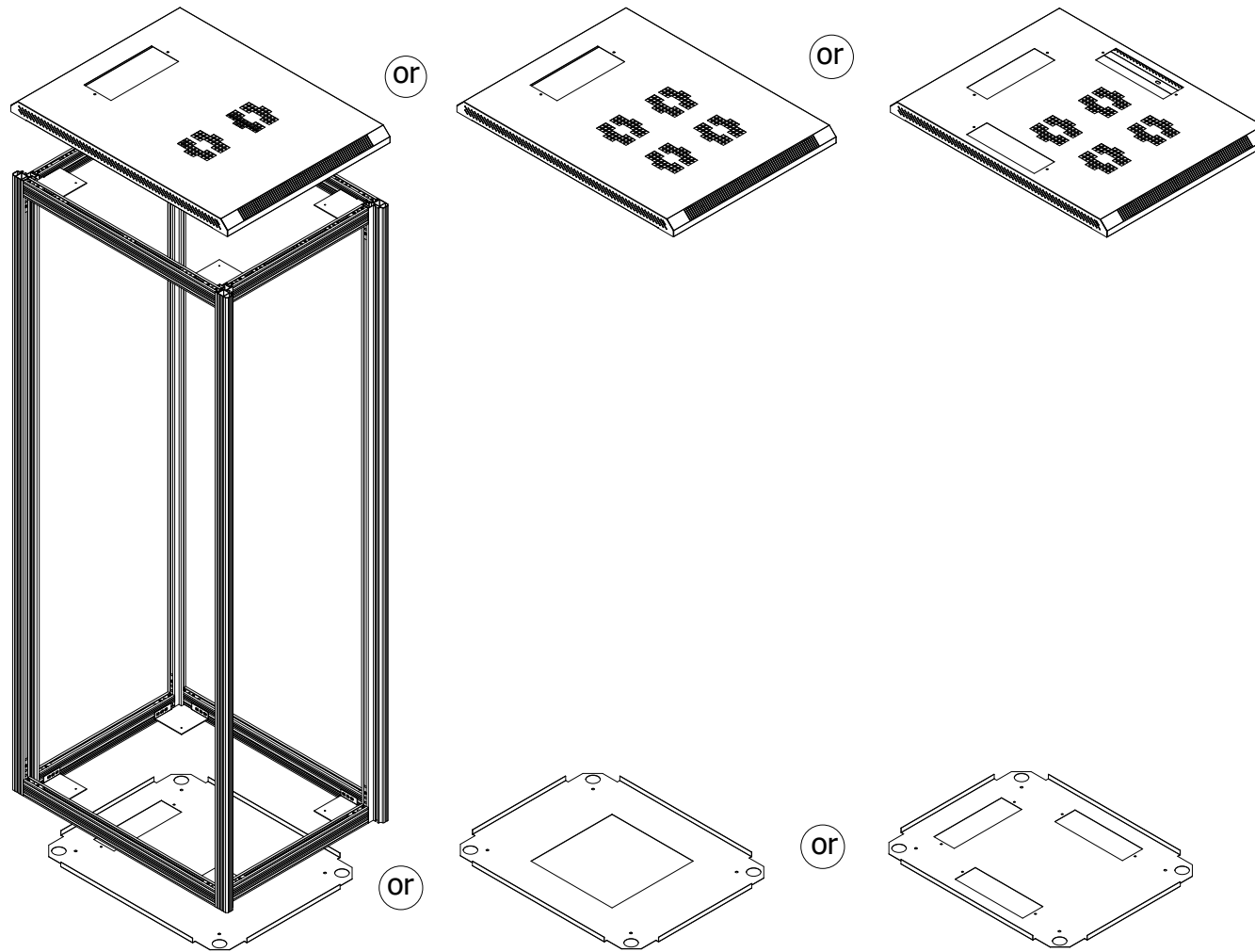


**Truly modular server cabinets with best value for money considering total cost of ownership.**



All Aluminium frame concept comprises of a combination of four aluminium extruded vertical members (multi-hollow design registered construction) are bolted to horizontal depth and width aluminium extruded members (stress effective cross section) to form a robust frame.

This frame is independent of top /bottom /sides. They do not play any role in the structural construction and act as skin over a strong skeleton structure. Due to easy access, the top & bottom are free to be replaced, in a fully loaded cabinet, for purpose of any future requirement changes like additional fans/ replace fans; or create larger or different cutouts on the bottom cover.



**VALRACK®**